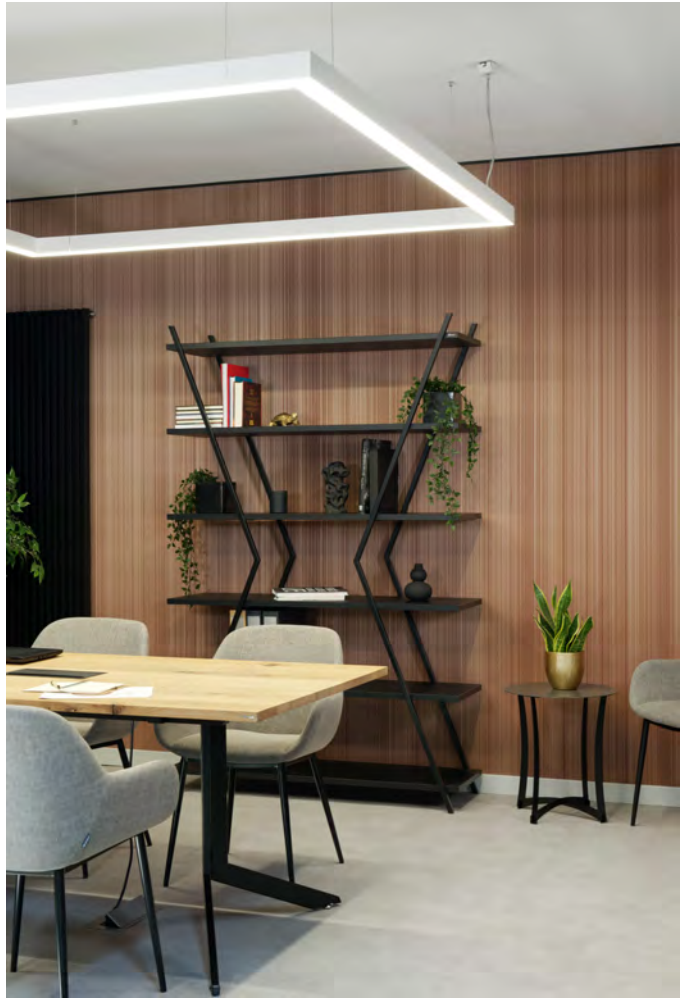




AXY-Line Conference tables



MARO Office Furniture

For 30 years, we have been making sure that office work is comfortable and ergonomic. Our furniture demonstrates our professionalism and love for what we do. We are passionate about creating exquisite and functional things and that translates into a quest for new solutions that turn concepts into products at a higher and higher level. Using innovative engineering solutions, we strive for ensuring that our products are top-notch. Our quality has been proved by ISO 9001 and Geprüfte Sicherheit certificates. This is possible thanks to our technology park, where world-class techniques come together under one roof. As a responsible producer, we wish to minimize our ecological footprint and expect the same from our suppliers.

Our Machinery Park guarantees top quality and precision. Thanks to the investments in new techniques and constant search for unconventional solutions, we thrive all the time. We are aware of how valuable the human factor is, therefore some elements of our furniture are hand-made. Gluing the carcasses of curved counters is a job where the human has an advantage over the machine. However, where surgical precision and repeatability in short time are necessary, we take advantage of the latest technique. Wood processing center drills, mills and processes the edges with utmost precision. The quality of our furniture is based on hundreds of trials and tests, thanks to which we are certain that we are second to none



AXY-Line Conference tables

TRANSPORT

- Product delivered in boxes
- Self-assembly

WARRANTY

- 5-year MARO warrant

CERTIFICATES



MELAMINE PANEL BOARD CERTIFICATES



Sustainable development

Find out more about our activity.



<https://maro.pl/en/company/sustainable-development>

AXY-Line

AXY-Line is a collection of conference and executive furniture. It features both large and smaller conference tables. The tables can be based on different types of legs A-, X- and Y-shaped.

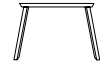
A wide range of tops and dimensions makes this collection a perfect solution for any office. Cabinets and showcases complete the collection.

STRUCTURE

- Chipboard coated on both sides with melamine resin with increased durability - 1st class.
- Chipboard with reduced formaldehyde emission, E1 standard.
- Top finished with 2 mm thick ABS plastic edge with 3 mm radius.
- Top made of 25 mm thick board.



AXY-Line A



- A-shaped system leg made of rectangular profile 60x20 mm.

AXY-Line X



- X-shaped system leg made of rectangular profile 60x20 mm.

AXY-Line Y



- Y-shaped system leg made of rectangular profile 60x20 mm.



FRAME

- 3 base types: A-shaped leg, X-shaped leg, Y-shaped leg.
- System leg welded on the inside.
- Metal, undertop beams made of 45x45 mm profiles.
- Powder-coated frame.



HEIGHT

- Fixed height 740 mm, leveling feet +10 mm.

ADDITIONAL INFORMATION

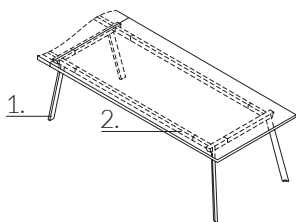
- Colors according to MARO offer

AXY-Line / Features

Frame

AXY-Line A

1. System leg A welded on the inside, made of rectangular profile 20x60 mm.
2. Powder-coated, metal undertop beams made of 45x45 mm profiles.

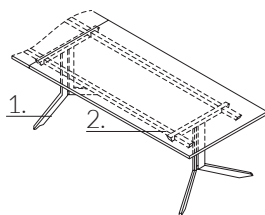


Outer leg A

Inner leg A

AXY-Line X

1. System leg X welded on the inside, made of rectangular profile 20x60 mm.
2. Powder-coated, metal undertop beams made of 45x45 mm profiles.

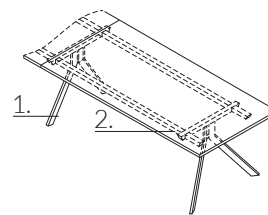


Outer leg X

Inner leg X

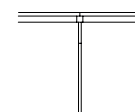
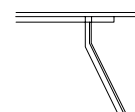
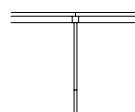
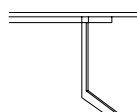
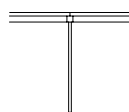
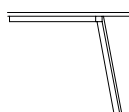
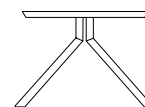
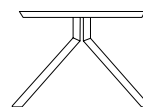
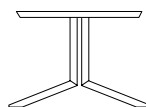
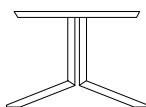
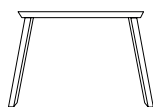
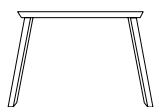
AXY-Line Y

1. System leg X welded on the inside, made of rectangular profile 20x60 mm.
2. Powder-coated, metal undertop beams made of 45x45 mm profiles.



Outer leg Y

Inner leg Y

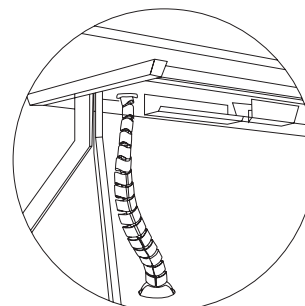
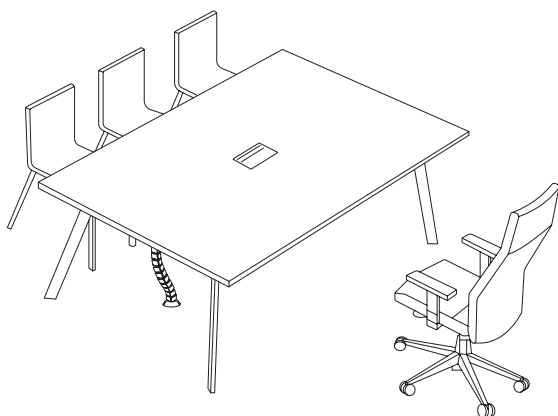


AXY-Line / Equipment

Cable channel

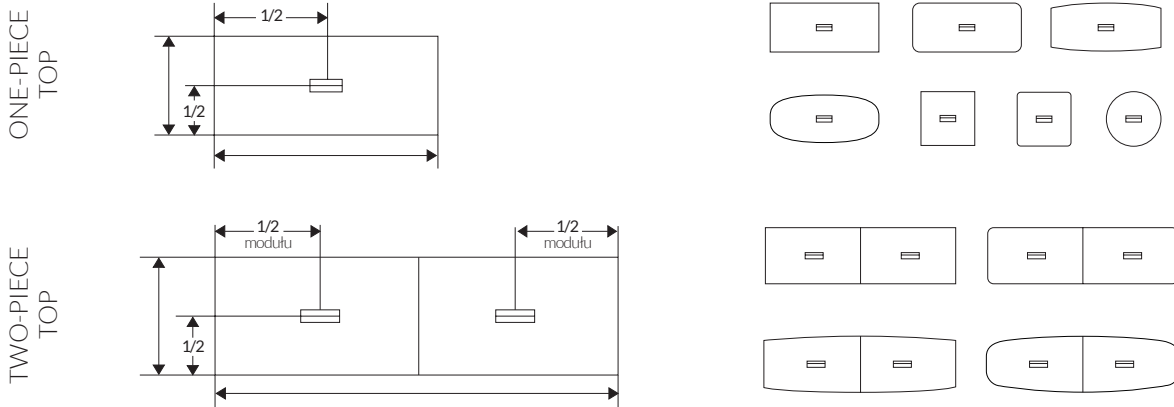
AXY-Line tables can be equipped with vertical and horizontal cable channels adjusted to every table type.

Cable channels are extra paid. Please specify the location of a cable channel or netbox while ordering.

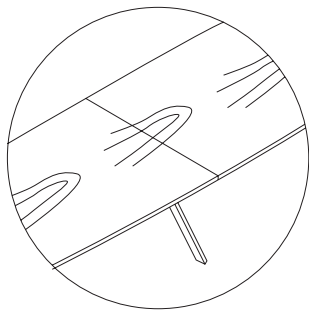


Netbox

Possibility to select and mount a netbox to every AXY-Line table.

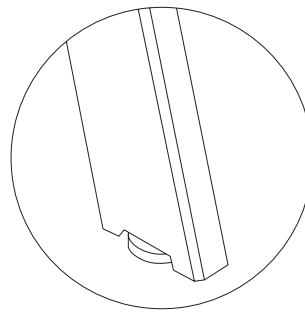


Graining



In two-piece tops continuous graining as standard. Minor displacement possible.

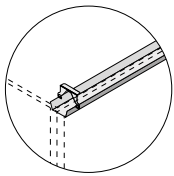
Chromium plated feet



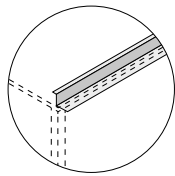
All AXY-Line tables are equipped with chromium plated feet with leveling function + 10 mm.

AXY-Line / Accessories

Horizontal cable management

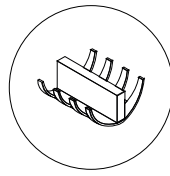


FIXED CABLE CHANNEL



FOLD-DOWN CABLE CHANNEL

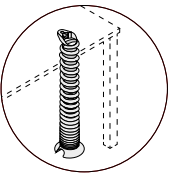
DD 91



COMB CABLE CLASP

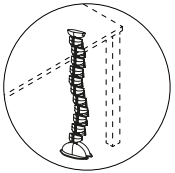
Vertical cable management

UW 14/UW 15



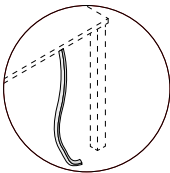
SPRING CABLE CHANNEL

UW 02



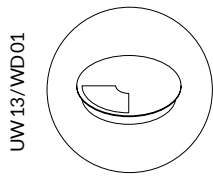
FLEXIBLE CABLE CHANNEL

UW 37/UW 37E

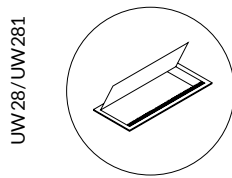


BRAIDED SLEEVE FOR CABLES

Cable outlets

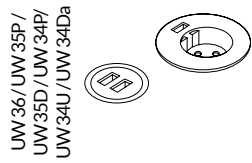


ROUND CABLE
OUTLET

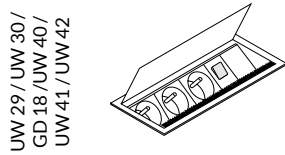


ALUMINUM CABLE
OUTLET

Netboxes

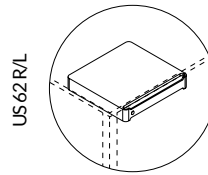


POWER CIRCLE S/M



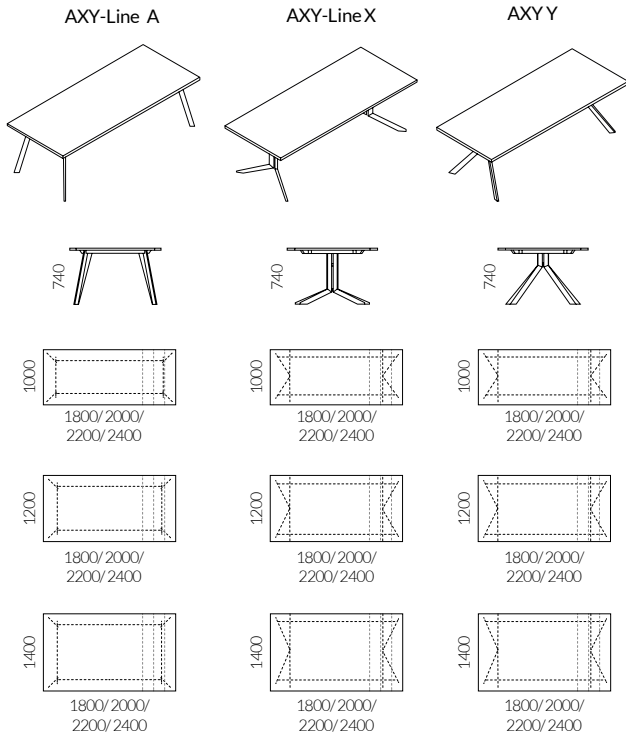
NETBOX

Cable outlets

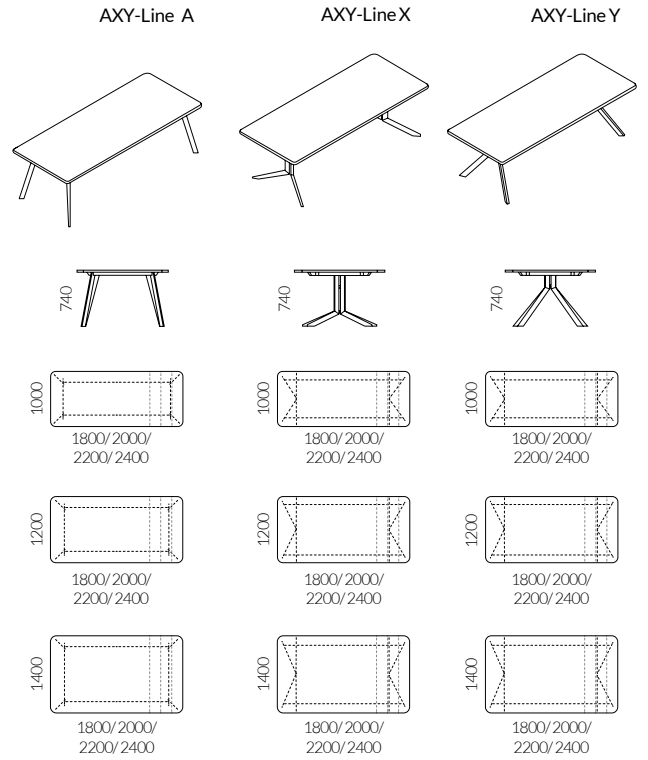


UNDERDESK DRAWER

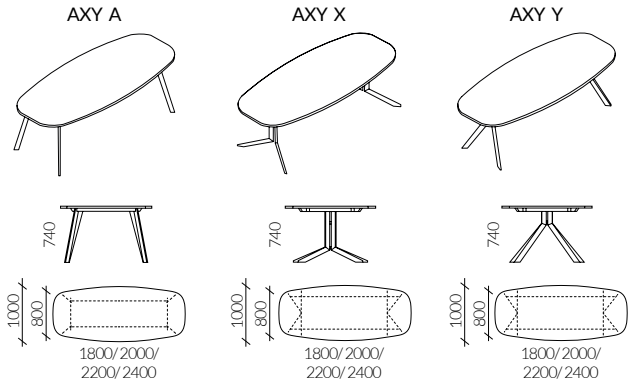
Conference tables with rectangular tops



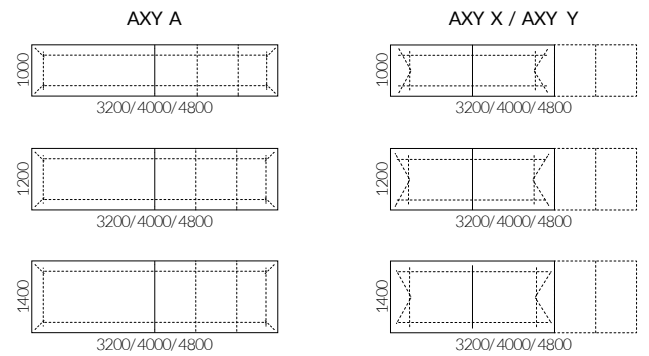
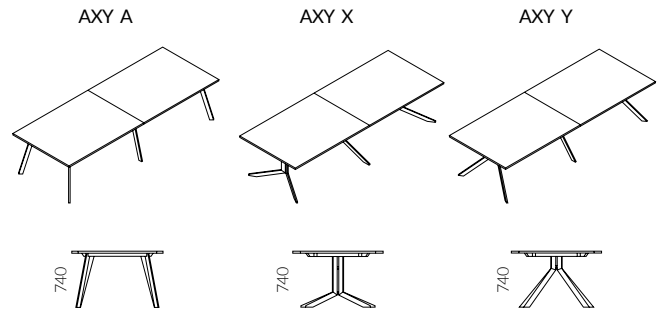
Conference tables with rectangular tops and rounded corners



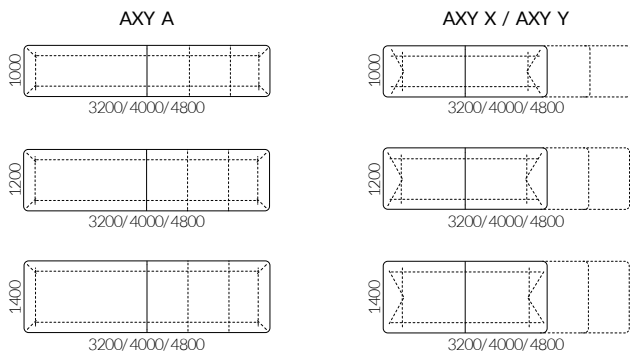
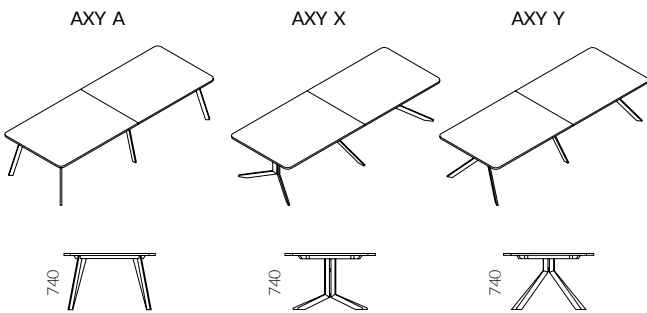
Tables with barrel-shaped tops



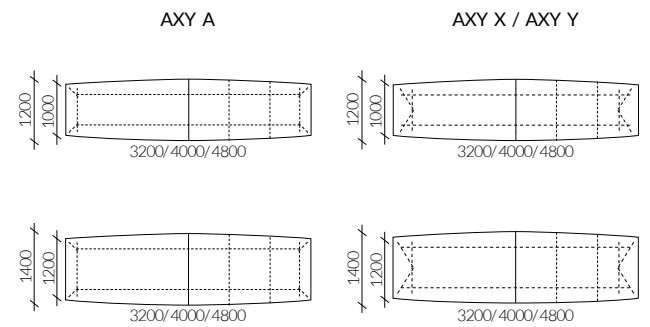
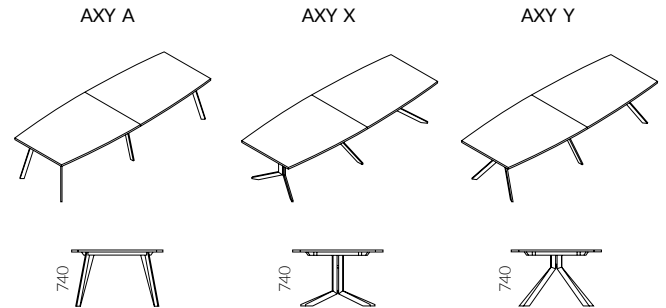
Conference tables with rectangular tops



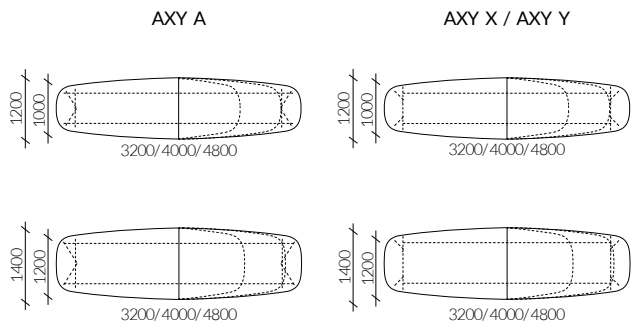
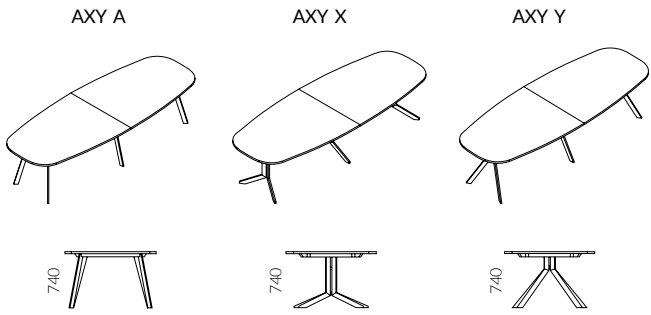
Conference tables with rectangular tops and rounded corners



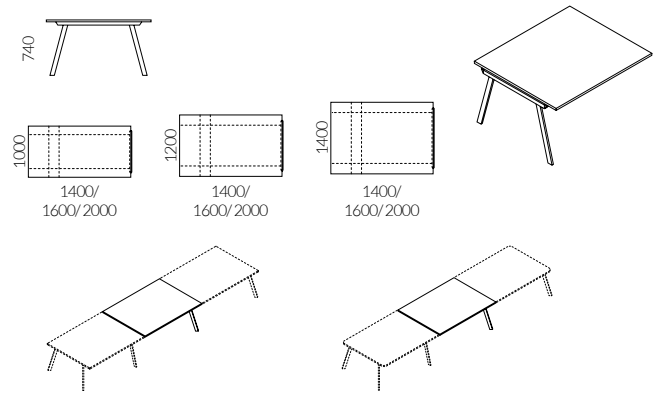
Conference tables with barrel-shaped tops



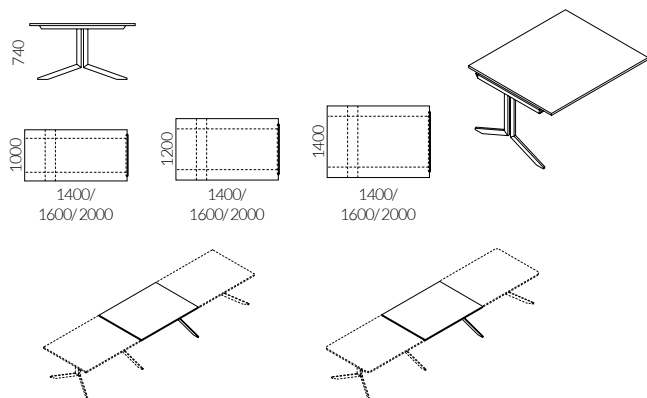
Conference tables with oval tops



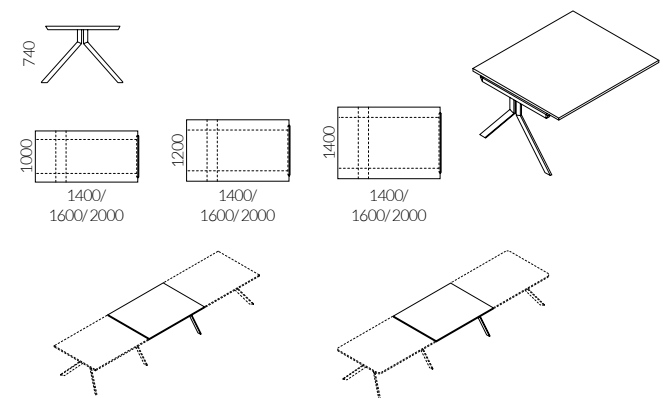
Extension modules for AXY-Line A* conference tables



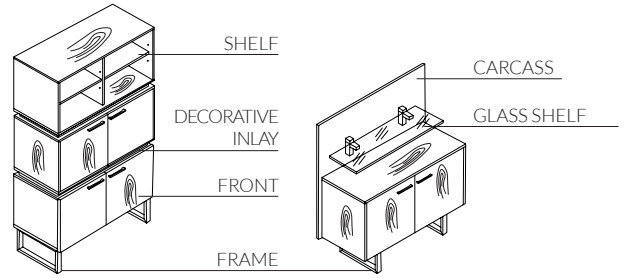
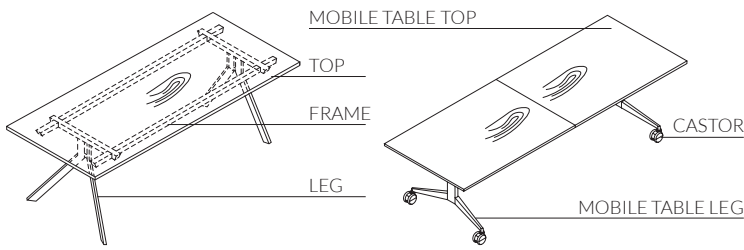
Extension modules for AXY-Line X* conference tables



Extension modules for AXY-Line Y* conference tables



AXY-Line / Colors



		Top	Mobile table top	Front	Decorative inlay	Carcass	Shelf	Glass shelf
STANDARD	Melamine UNI	STD 1 White	•	•	•	•	•	
		STD 2 High Gloss White			•			
		STD 3 Gray	•	•			•	•
		STD 4 Beige	•	•	•		•	•
		STD 5 Norwegian Green	•	•	•		•	•
		STD 6 Navy Blue	•	•	•		•	•
		STD 7 Graphite	•	•	•	•	•	•
		STD 8 Black	•	•	•		•	•
	Melamine	STD 10 Acacia	•	•	•		•	•
		STD 11 European Maple	•	•	•		•	•
		STD 12 Napolitano Oak	•	•	•		•	•
		STD 13 Gray Spruce	•	•	•		•	•
		STD 14 American Oak	•	•	•		•	•
		STD 15 Natural Oak	•	•	•		•	•
		STD 16 Cherry Havana	•	•	•		•	•
		STD 17 Walnut Brown	•	•	•		•	•
		TREND*	Melamine	TRD 1 Blush			•	•
TRD 2 Claret					•	•	•	
TRD 3 Dark Turquoise					•	•	•	
TRD 11 Stark Oak					•	•	•	
TRD 12 Flamed Oak					•	•	•	
PREMIUM**	HPL	FX1 Fenix Black	•					
		FX2 Fenix White	•					
	Solid wood	RW1 Lacquered Oak	•					
		RW2 Oiled Oak	•					
	Stone	ST 1 Nero Greco	•					
		ST 2 Noir Desir	•					
		ST 3 Bianco Venato	•					
	Veneer	VR 4 Burundi Mahogany	•					
		VR 5 Brazilian Rosewood	•					
		VR 6 Flader Oak	•					
+	Dry-wipe board		•					
STANDARD	Glass	GL01 Opti White					•	•
		GL02 Satinato						
		GL03 Opti Black					•	•
		GL04 White Lacobel						
		GL05 Black Lacobel						

		Frame	Leg	Castor	Mobile table leg
STANDARD	Metal	M02 White	•	•	•
		M01 Aluminium	•	•	
		M03 Beige	•	•	
		M04 Black	•	•	•
		M05 Graphite	•	•	
TREND*	Metal	M06 Sunny Beige			
		M07 Faded Turquoise			
		M08 Ginger			
M09 Dirty Pink					
ABS	Black			•	

* Only 18 mm thick panel boards from trend group available.

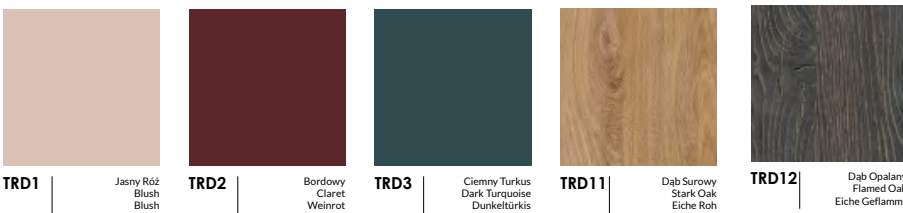
** Products in premium colors are priced individually. Information on lead time can be obtained from a sales representative.

Melamine

① STANDARD



② TREND

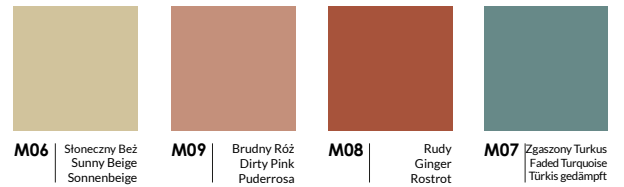


Metal

① STANDARD



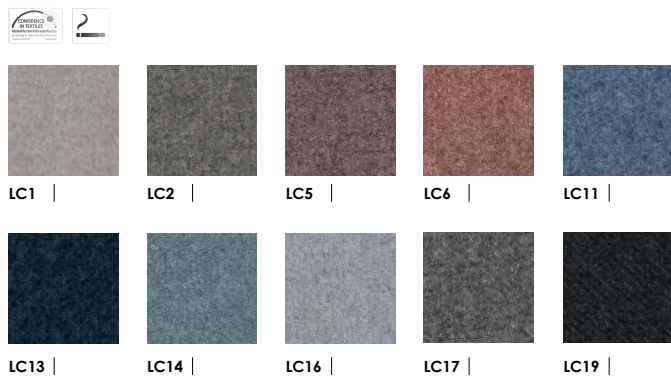
② TREND



Fabrics

100% Polyester
100.000 Martindale cycles

① CALDO
Select by Lech



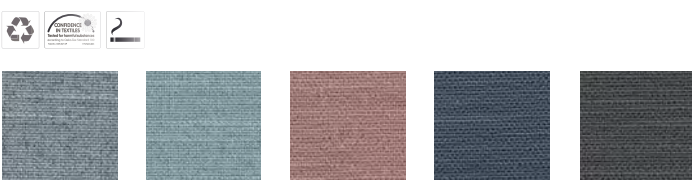
95% Virgin Wool, 5% Poliamid
100.000 Martindale cycles

② SYNERGY
Camira



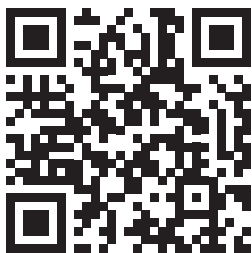
100% Recycled Polyester
67.000 Martindale cycles

① TERRA
Select by Lech

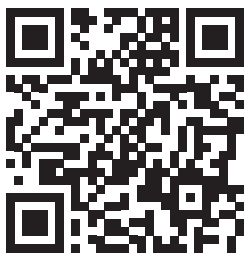


Information

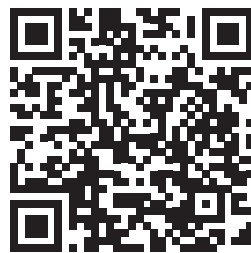
You can find all our current materials online.



Visit our website maro.pl



Find high quality photos and films to use in your materials
maro.cloud/photo



Find solids and catalogs
maro.pl/design-tools/pliki-do-pobrania



Order furniture online
shop.maro.pl



Fabryka Mebli Biurowych MARO Sp. z o. o.
PL 62-052 Komorniki, ul. Fabianowska 100


+48 61 890 00 00

maro@maro.pl


MARO.pl

Follow us and join t o MARO community

 /@maroofficefurniture

 /@maroofficefurniture

 /@maroofficefurniture

 /@maroofficefurniture

Please place your orders for printed materials and color samples by e-mail t o marketing@maro.pl.

Illustrations presented in this publication are only illustrative and do not constitute any offer or guarantee of any form - it especially applies to presented color and furniture surfaces used by MARO Office Furniture Factory. Please contact MARO sp. z o. o. to obtain information on functions and configurations.

All presented data, especially photos, specifications, descriptions, drawings and technical parameters do not constitute an offer in legal terms of the Civil Code, are not binding and can be changed without prior notice. A Sales Contract contains bidding prices, equipment and specifications.

We reserve the right to make changes and mistakes. All the information in this price list is up-to-date on the publication date/accepting the material for publishing. The prices do not include VAT tax.

General Terms and Conditions of Sales and General Warranty and Complaint Terms and Conditions constitute an integral part of Sales Contracts.

The price list is valid from 01.07.2022 until further notice.